










Ironmongery collection





Contents

	Locks & latches	04
	Flush bolts	17
	Door closers	18
	Floor springs	24
	Kick plates	27
	Discs	28
	Cylinders	32
	Hardware sets	34
	Ironmongery compatibility chart	46

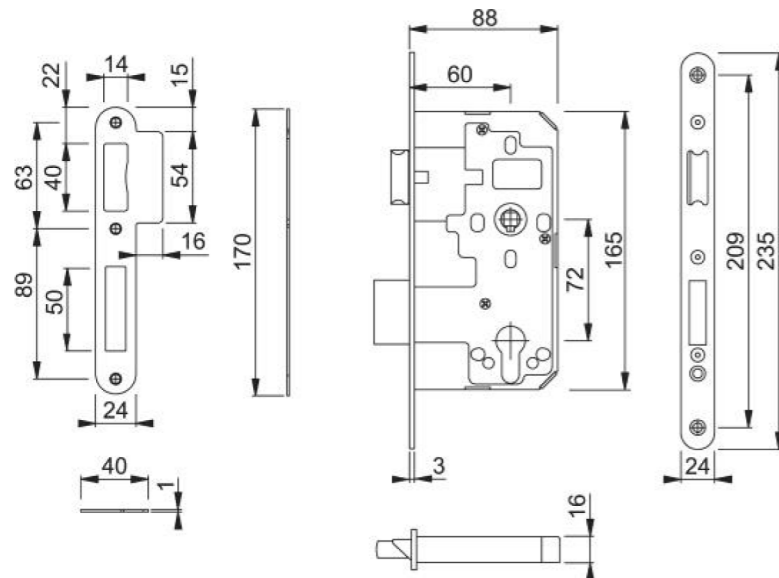
Mortice sashlock case

ESD910



Operation	Lever/lever handle set
Follower	8mm
Backset	60mm, pierced for furniture and escutcheons at 38mm centres
(Key) Hole size	Euro profile cylinder
Key hole distance	72mm
Door type	Timber door
Fixings	Timber door
Keying	
Corner	Radius corners
Shape	Radiused
Finish	F69 satin stainless steel
Face plate finish	F69 satin stainless steel

- Function: Latch bolt and deadbolt operation.
- Deadbolt projection: 21mm, single throw.
- Forend/strike material: Stainless steel.
- Forend type: Single.
- **BS EN 12209:** 3 | X | 8 | 1* | 0 | G | 4 | B | A | 3 | 0.
- Testing: **BS EN 1634-1.** Assessed for use on 30, 60, 90 and 120 minute timber fire doors.



Drawing not to scale

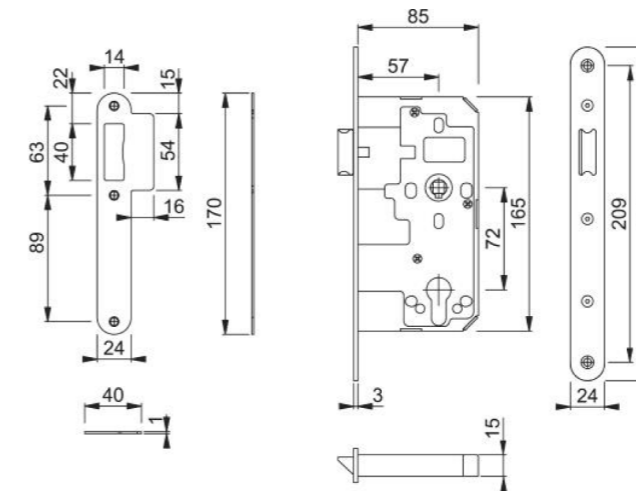
Mortice latch case

ESD911



Operation	Lever/lever handle set
Follower	8mm
Backset	60mm, pierced for furniture at 38mm centres
(Key) Hole size	
Key hole distance	
Door type	Timber door
Fixings	Timber door
Corner	Radius corners
Shape	Radiused
Finish	F69 satin stainless steel
Face plate finish	F69 satin stainless steel

- Function: Latch bolt operation.
- Forend/strike material: Stainless steel.
- Forend type: Single.
- **BS EN 12209:** 3 | X | 8 | 1* | 0 | G | - | B | 0 | 3 | 0.
- Testing: **BS EN 1634-1.** Assessed for use on 30, 60, 90 and 120 minute timber fire doors.



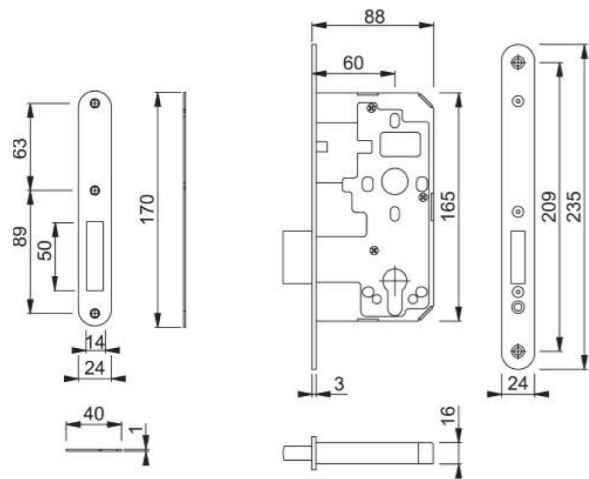
Drawing not to scale

Mortice deadlock case ESD912



Follower	8mm
Backset	60mm, pierced for escutcheons at 38mm centres
(Key) Hole size	Euro profile cylinder
Key hole distance	72mm
Keying	
Corner	Radius corners
Shape	Radiused
Finish	F69 satin stainless steel
Face plate finish	F69 satin stainless steel

- Function: Deadbolt operation.
- Deadbolt projection: 21mm, single throw.
- Forend/strike material: Stainless steel.
- Forend type: Single.
- **BS EN 12209:** 3 | X | 8 | 1* | 0 | G | 4 | B | A | 0 | 0.
- Testing: **BS EN 1634-1.** Assessed for use on 30, 60, 90 and 120 minute timber fire doors.
- Meets dimensional recommendations of **BS 8300** and ADM for locks.



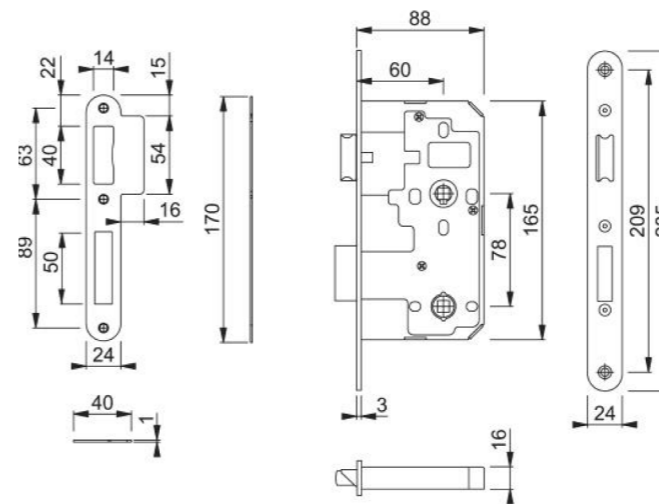
Drawing not to scale

Mortice bathroom lock ESD913



Operation	Half lever set
Follower	8mm furniture and 5mm or 8mm bathroom follower with spindle grip
Backset	60mm, pierced for furniture and escutcheons at 38mm centres
(Key) Hole size	WC
Key hole distance	78mm
Door type	Timber door
Fixings	Timber door
Corner	Radius corners
Shape	Radiused
Finish	F69 satin stainless steel
Face plate finish	F69 satin stainless steel

- Function: Latch bolt and deadbolt operation.
- Deadbolt projection: 21mm, single throw.
- 8mm bathroom follower with 5mm adaptor supplied.
- Forend/strike material: Stainless steel.
- Forend type: Single.
- **BS EN 12209:** 3 | X | 8 | 1* | 0 | G | - | B | 0 | 3 | 0.
- Testing: **BS EN 1634-1.** Assessed for use on 30, 60, 90 and 120 minute timber fire doors.



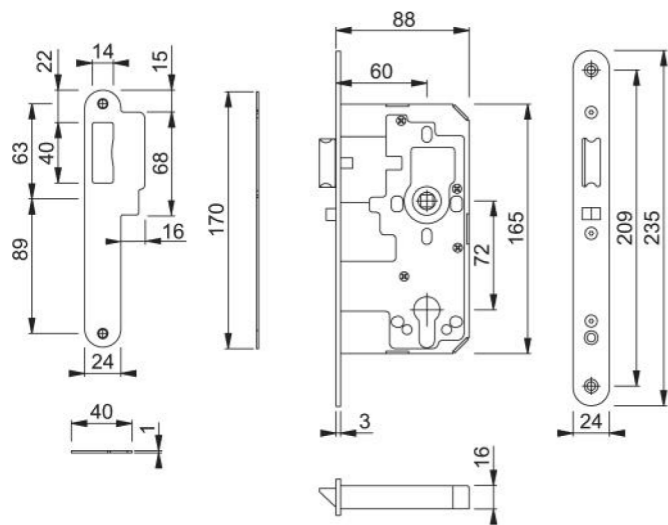
Drawing not to scale

Mortice nightlatch case ESD914



Operation	Lever/lever handle set
Follower	8mm
Backset	60mm, pierced for furniture and escutcheons at 38mm centres
(Key) Hole size	Euro profile cylinder
Key hole distance	72mm
Door type	Timber door
Fixings	Timber door
Corner	Radius corners
Shape	Radiused
Finish	F69 satin stainless steel
Face plate finish	F69 satin stainless steel

- Function: Latch bolt with anti thrust operation.
- Forend/strike material: Stainless steel.
- Forend type: Single.
- **BS EN 12209:** 3 | X | 8 | 1* | 0 | G | - | B | 0 | 3 | 0 .
- Testing: **BS EN 1634-1.** Assessed for use on 30, 60, 90 and 120 minute timber fire doors.
- **To comply with BS EN 179 certification, only lever handles and associated fixings included in the test evidence must be used.**



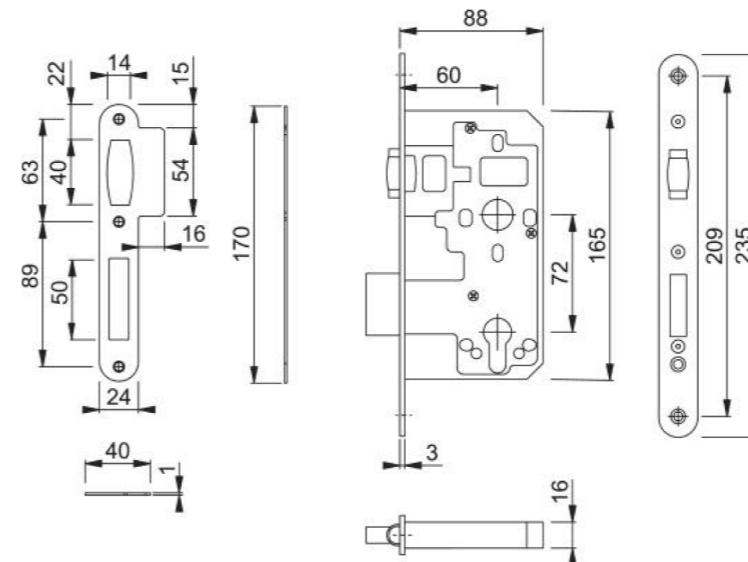
Drawing not to scale

Mortice rollerbolt lock case ESD916



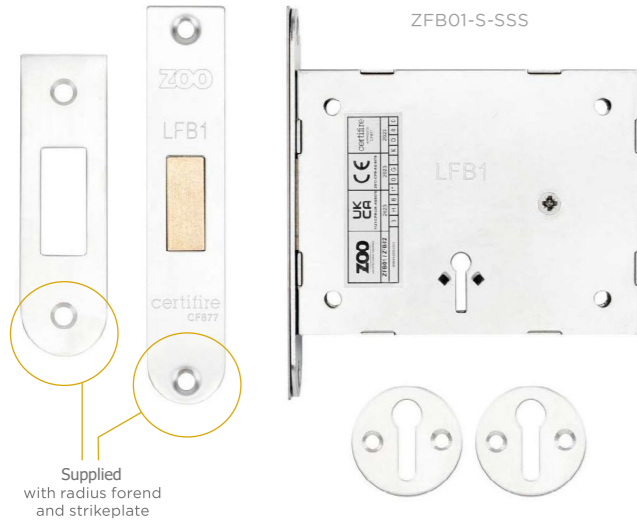
Backset	60mm, pierced for furniture and escutcheons at 38mm centres
(Key) Hole size	Euro profile cylinder
Key hole distance	72mm
Door type	
Fixings	2 x 4, 5x25 pz, 3 x 3, 5x20 pz
Corner	Radius corners
Shape	Radiused
Finish	F69 satin stainless steel
Face plate finish	F69 satin stainless steel

- Function: roller bolt and deadbolt operation.
- Deadbolt projection: 21mm, single throw.
- Forend/strike material: stainless steel.
- Forend type: single.
- **BS EN 12209:** 3 | C | 8 | 1* | 0 | G | 4 | B | A | 0 | 0 .
- Testing: **BS EN 1634-1.** Assessed for use on 30, 60, 90, 120 minute timber.



Drawing not to scale

Fire brigade lock ESDFB02R



Code	Description	Finish
ZFB02-R-SSS	Mortis London Fire Brigade Lock (Key Profile 02), Radius Forend and Strike, c/w Escutcheons	SSS
ZFB02K	Spare Key t/s London Fire Brigade Lock (Key Profile 02)	NP - Nickel Plate
ZFB001-SSS	Escutcheon pack t/s ZFB01/ZFB01/ZFB02 Series Fire Brigade Lock	SSS

Product features

- 51.5mm backset.
- Double forend (steel inner, stainless steel outer forend).
- Supplied with lever key profile escutcheons.

Performance testing

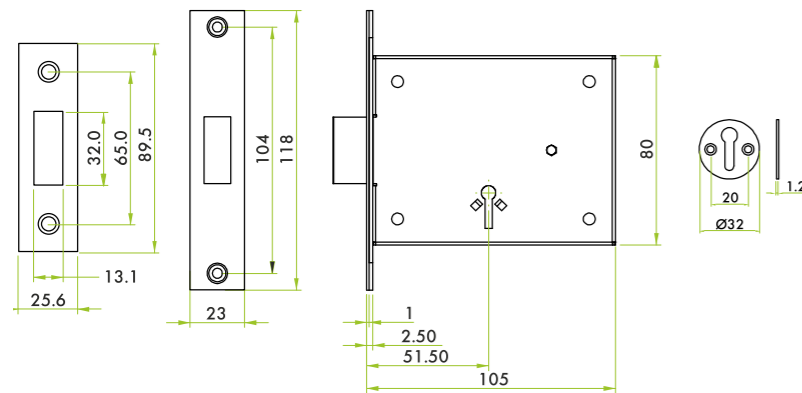
- Successfully tested in accordance with the requirements of BS EN 12209: 2003.

Forend options

- Radius.

Finishes

- Satin stainless steel brackets (SSS).



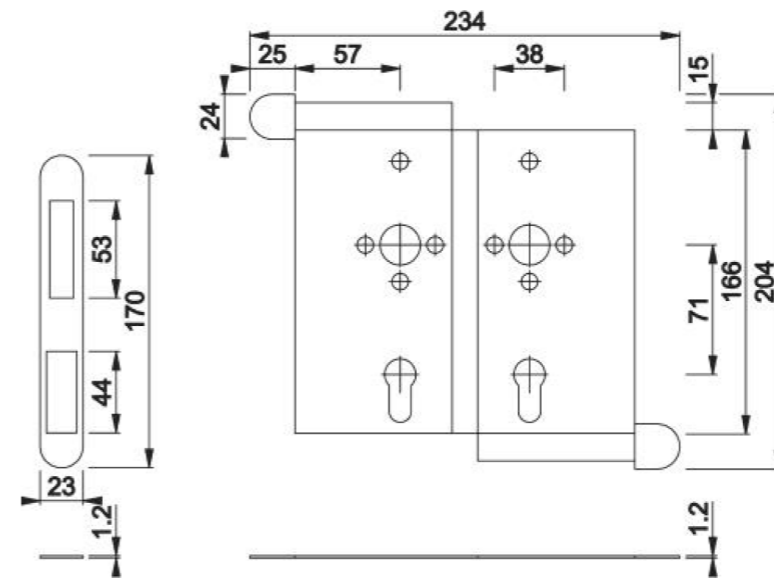
Drawing not to scale

Din lock intumescent pack ESD/INT-LOCK



Backset	60mm
Height	1mm

- Intumescent pack to suit 72mm centres DIN lockcases.
- 1mm thickness.
- Consists of: 1 x lockcase & forend pad, 1 x strikeplate pad.
- Material: Mono-ammonium phosphate.



Drawing not to scale

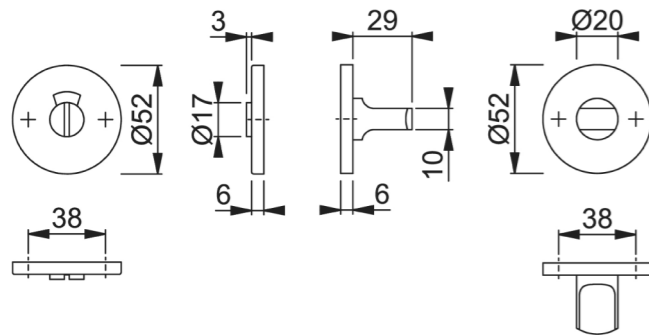
Bathroom turn and indicator set

ESD - IND/TURN



Unit	Pair
Spindle size	5mm
Spindle length	
(Key) Hole size	Emergency release with red-white indicator/turn
Door type	Timber door
Fixings	M4x18mm
Rose height	6mm
Spindle size	5mm
Finish	F69 Satin stainless steel

- Function: Bathroom turn set for residential/commercial applications.
- Material: Stainless steel grade 304.
- Base: Stainless steel.
- Fixing: Wood screws with 5mm bathroom spindle.



Drawing not to scale

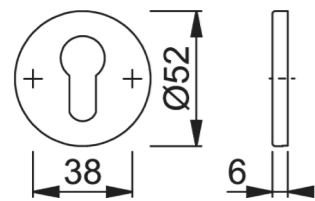
Escutcheon

ESD - ESC/TURN



Unit	Pair
(Key) Hole size	Euro profile cylinder
Door type	Timber door
Fixings	Number 4 x 16mm
Rose height	6mm
Finish	F69 Satin stainless steel

- Euro profile escutcheon 8mm.
- Fixing: 4 x 20mm screws.
- Material: Grade 304 stainless steel.



Drawing not to scale

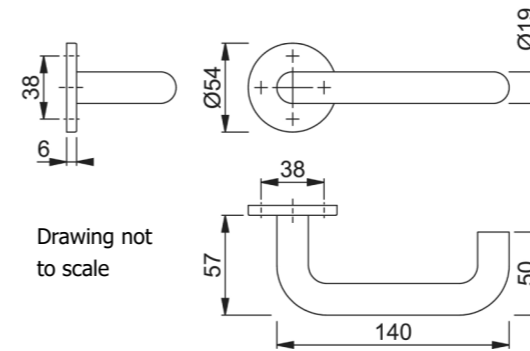
Stainless steel lever handle set on rose for interior doors

ESD - E138F/42K-A2



Door thickness	40-50mm
Spindle size	8mm
Spindle length	
Door type	Timber door
Fixings	8 N4 x 16mm wood screws, 2 bolts & allen key, A2 stainless steel, posidrive
Bearing	Sprung
Connection	Breakthrough spindle
Spindle size	8mm
Finish	Satin stainless steel

- Material: Stainless steel grade 304.
- Bearing: Fixed/movable.
- Connection: Solid spindle with eccentric hole on both ends.
- Base: Stainless steel.
- Fixing: Bolt through and wood screws.
- Testing: Included in a successful fire test to BS EN 1634 Part 1. Assessed for use on 30 and 60 minutes timber fire doors.



Drawing not to scale

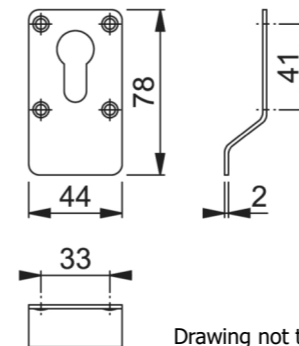
Cylinder pull

ESD306



(Key) Hole size	Euro profile cylinder
Door type	Timber door
Fixings	Timber door
Drill	4 Screw holes countersunk
Finish	Satin stainless steel

- Euro profile cylinder pull.



Drawing not to scale

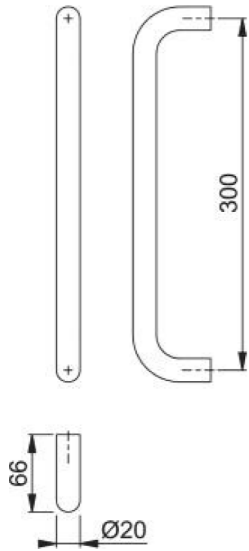
300mm Stainless steel straight pull handle (exterior side)

ESD3616-300



Door thickness	37-57mm
Unit	Single
Fixing distance	300mm
Diameter	19mm
Door type	Timber door
Fixings	Bolt fixing
Fixing distance	300mm
Set screw	Not drilled
Finish	Satin stainless steel

• Fixing: pull handle fixing system no. BS13-B.



Drawing not to scale

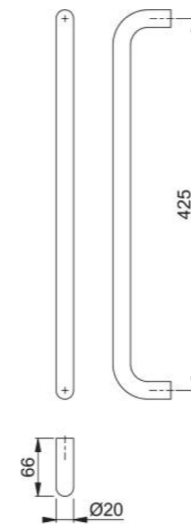
425mm Stainless steel straight pull handle (exterior side)

ESD3616-425



Door thickness	37-57mm
Unit	Single
Fixing distance	425mm
Diameter	19mm
Door type	Timber door
Fixings	Bolt fixing
Fixing distance	425mm
Set screw	Not drilled
Finish	Satin stainless steel

• Fixing: pull handle fixing system no. BS13-B.



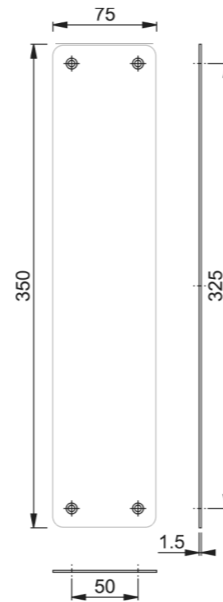
Drawing not to scale

350mm Finger plate with radius corners

ESD324-300



Door type	Timber door
Fixings	Timber door
Corner	Radius corner
Length	350mm
Drill	4 screw holes countersunk
Width	75mm
Plate type	Radius corner
Finish	Satin stainless steel



Drawing not to scale

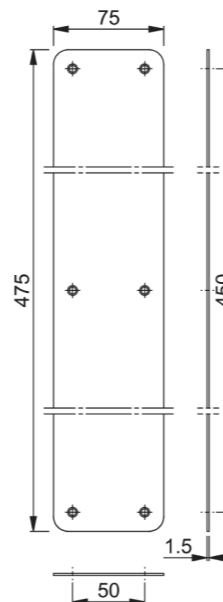
- Material: Stainless steel grade 304.
- Fixing: Drilled and countersunk supplied with wood screws.
- Radius corner.

475mm Finger plate with radius corners

ESD324-425



Door type	Timber door
Fixings	Timber door
Corner	Radius corner
Length	475mm
Drill	6 screw holes countersunk
Width	75mm
Plate type	Radius corner
Finish	Satin stainless steel



Drawing not to scale

- Material: Stainless steel grade 304.
- Fixing: Drilled and countersunk supplied with wood screws.
- Radius corners.

Flushbolt

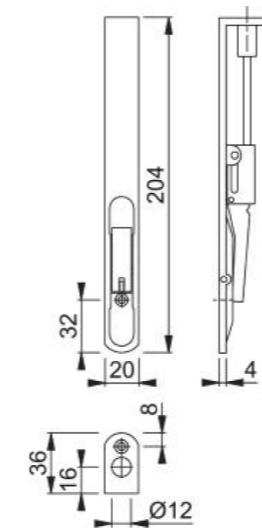
ESD326



Door type	Timber door
Fixings	Timber door
Diameter	
Length	200mm
Shape	Radius
Drill	2 Screw holes countersunk
Width	20mm
Throw	20mm
Finish	Satin stainless steel

- Material: Stainless steel.
- Function: Lever action.
- Fixing: Timber door screws.

The flushbolt will be supplied with an intumescent, if the product you're ordering is fire rated.



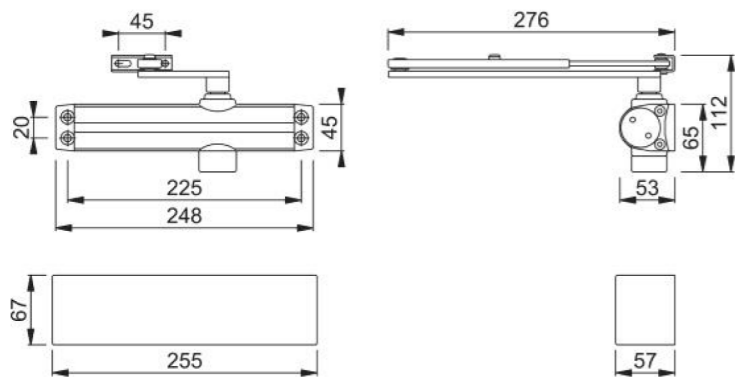
Drawing not to scale

Overhead door closing device with backcheck only ESD1500



- Power size: 2 to 4 adjustable by spring tension.
- Function: Closing speed, backcheck, latching.
- Cover: Radiused cover.
- Maximum door width: 1,100mm.
- Maximum door weight: 80kg.
- Successfully type tested for conformity to all the requirements of **BS EN 1154:1997** -
- Included in a successful fire test to **BS EN 1634 Part 1**. Assessed for use on 30, 60 and 120 minutes timber fire doors.
- The ESD1500 can satisfy the opening force recommendations of **BS 8300** and ADM when fitted to the pull aspect of a door with minimum width of 938mm according to third party data. However other installed hardware, door seals and differential air pressure will affect the products as fitted performance meaning that the door closer alone cannot allow compliance to **BS 8300** and ADM.

Door type	Timber door
Maximum door width	1100mm
Maximum door weight	80kg
Arm Application	Pull or push aspect, or transom mounted
Mechanism function	Backcheck, spring adjustment, closing /latching speed
Mechanism type	Rack & pinion
Fixings	Timber door
Shape	Slimline
Power size	2 to 4
Opening Angle	Max. 105° opening
Mechanism dimensions and fixing centres	248 x 45 x 53.5mm; centres 225 x 20mm
Arm type	Scissor arm, fixed joint, flat form, adjustable
Finish of the cover	Satin stainless steel
Arm finish	Satin stainless steel



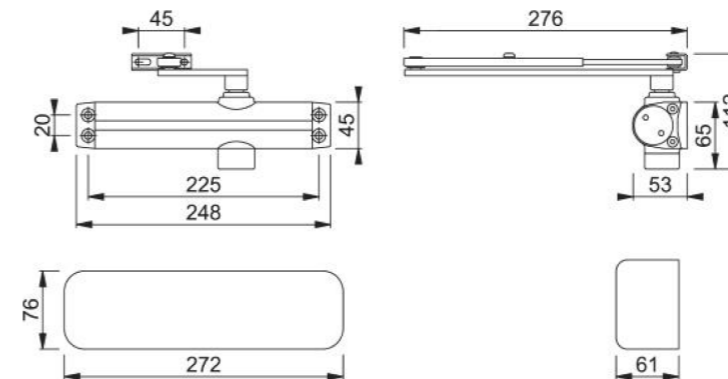
Drawing not to scale

Overhead door closing device with backcheck and delayed action ESD3500



- Power size: 2 to 4 adjustable by spring tension.
- Function: Closing, latching, backcheck.
- Cover: Designer cover.
- Maximum door width: 1,100mm.
- Maximum door weight: 80kg.
- Successfully type tested for conformity to all the requirements of **BS EN 1154:1997**
- Included in a successful fire test to **BS EN 1634 Part 1**. Assessed for use on 30, 60 and 120 minutes timber fire doors.
- The ESD3500 can satisfy the opening force recommendations of **BS 8300** and ADM when fitted to the pull aspect of a door with minimum width of 938mm according to third party data. However other installed hardware, door seals and differential air pressure will affect the products as fitted performance meaning that the door closer alone cannot allow compliance to **BS 8300** and ADM.

Door type	Timber door
Maximum door width	1100mm
Maximum door weight	80kg
Arm Application	Pull or push aspect, or transom mounted
Mechanism function	Backcheck, delayed action, spring adjustment, closing/ latching speed
Mechanism type	Rack & pinion
Fixings	Timber door
Shape	Designer
Power size	2 to 4
Opening Angle	Max. 105° opening
Mechanism dimensions and fixing centres	248 x 45 x 53.5mm; centres 225 x 20mm
Arm type	Scissor arm, detachable joint, flat form, adjustable
Finish of the cover	Satin stainless steel effect
Arm finish	Satin stainless steel



Drawing not to scale

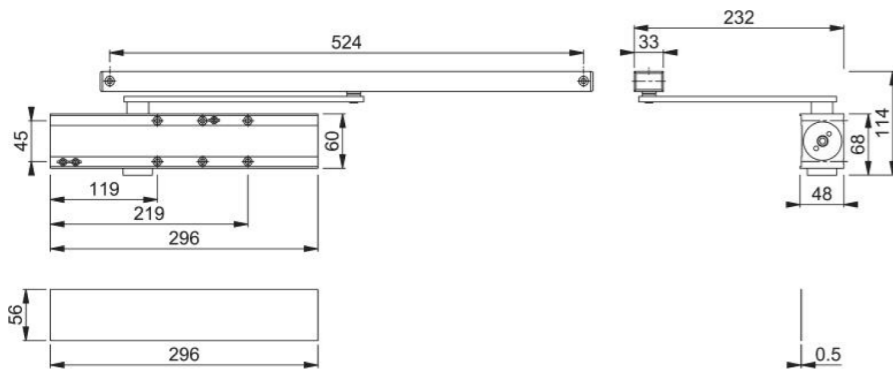
Overhead door closing device

ESD8209



- Power size: 2 to 4 adjustable by spring tension.
- Function: Closing, latching, cushion stop.
- Cover: Slide cover.
- Maximum door width: 1,100mm.
- Maximum door weight: 80kg.
- Successfully type tested for conformity to all the requirements of **BS EN 1154:1997**
 - Door mount pull, transom mount pull: 4 | 8 | 4/2 | 1* | 1 | 3
 - Transom mount push: 3 | 8 | 4/2 | 1* | 1 | 3.
- Included in a successful fire test to **BS EN 1634** Part 1. Assessed for use on 30, 60 and 120 minutes timber fire doors.

Door type	Timber door
Maximum door width	1100mm
Maximum door weight	80kg
Arm Application	Door mount pull, transom mount pull and push
Mechanism function	Adjustable power, closing/latching speed
Mechanism type	Rack & pinion
Fixings	Timber door
Shape	Trim Plate
Power size	2 to 4
Opening Angle	
Mechanism dimensions and fixing centres	296 x 60 x 48.2mm; 118.5 x 218.5 x 45mm
Arm type	Surface slide arm
Finish	Satin stainless steel
Finish of the cover	Satin stainless steel
Arm finish	Satin stainless steel



Drawing not to scale

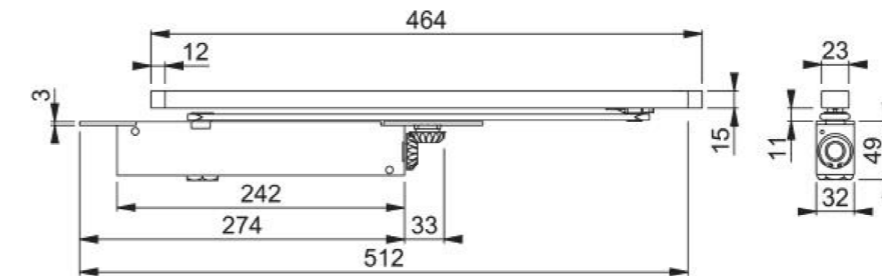
Overhead concealed door closing device

ESD7383



- Power size: 2 to 4 adjustable by spring tension.
- Function: Closing, latching, cushion stop.
- Cover: no cover.
- Maximum door width: 1,100mm.
- Maximum door weight: 80kg.
- Successfully type tested for conformity to all the requirements of **BS EN 1154:1997**
 - Door mount pull side, transom mount pull side: 3 | 8 | 4/2 | 1* | 1 | 3.
- Included in a successful fire test to **BS EN 1634** Part 1. Assessed for use on 30, 60, 90 and 120 minute timber fire doors.

Type	Mechanism and slide track
Door type	Timber door
Maximum door width	1100mm
Maximum door weight	80kg
Arm Application	Door mount concealed, transom mount concealed
Mechanism function	Spring adjustable, closing/latching speed
Mechanism type	Cam action
Fixings	Timber door
Shape	
Power size	2 to 4
Opening Angle	Max. 105° opening
Mechanism dimensions and fixing centres	276 x 32 x 45mm; centres 320 x 20mm; Track 424
Arm type	Concealed slide arm
Fire safety accessories	Intumescent kit, Mono-ammonium phosphate based
Finish	Satin nickel plate
Arm finish	Satin nickel plated



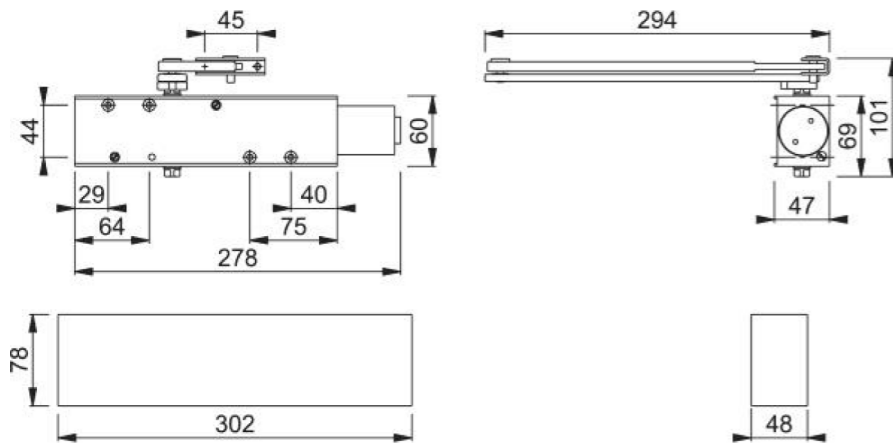
Drawing not to scale

Overhead electromagnetic door closing device ESD1998



Door type	Timber door
Maximum door width	1100mm
Maximum door weight	80kg
Arm Application	Pull and push aspect
Mechanism function	Electro-magnetic, hold-open/swing free option
Mechanism type	Rack & pinion Electro-mag
Fixings	Timber door
Shape	Maxi-Flowline
Power size	4
Opening Angle	Max. 105° opening
Mechanism dimensions and fixing centres	280 x 76 x 49mm; centres (38 x 73) (29 x 64) x 45mm
Arm type	Scissor arm, fixed joint, hold open, swing free
Finish of the cover	Satin stainless steel effect
Arm finish	Satin stainless steel effect

- Fixed power size 4.
- Function: Closing, latching, electro hold open, electro swing free.
- Cover: Slimline cover.
- Maximum door width: 1,100mm (pull aspect), 950mm (push aspect).
- Maximum door weight: 80kg (pull aspect), 60 kg (push aspect).
- Arm application: Pull and push aspect fixing positions.
- Successfully type tested for conformity to all the requirements of **BS EN 1154:1997**
 - Door mount pull side: 3 | 8 | 4 | 1* | 1 | 3 .
 - Door mount push side: 3 | 8 | 3 | 1* | 1 | 3.
- Included in a successful fire test to **BS EN 1634** Part 1. Assessed for use on 30, 60 and 120 minutes timber fire doors.



Drawing not to scale

Astra jamb closer ESD4003SFR



Fixed power	EN3
Closing force	4° from latch 19Nm
Opening force	4° from latch 22Nm
Continuous valve control	From 90°
Maximum opening angle	105°
Maximum door width	Up to 1100mm wide

Product

- Integrated door control.
- Jamb mounted frame plate hinge side.
- Completely concealed when door is closed.

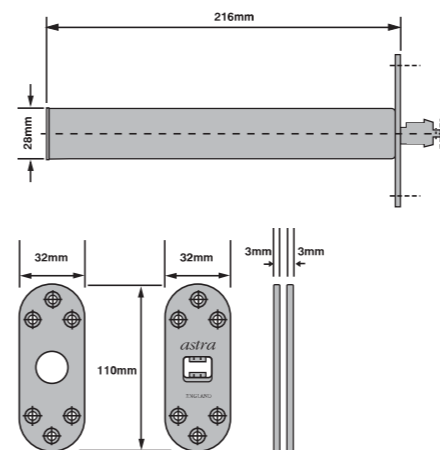
Functions

- Adjustable closing speed whilst installed.
- Maintenance-free.

Test Evidence

- Continuous in-house testing to over 500,000 cycles.
- Fire test conducted in accordance with BS EN1634-1 :2000.
- Third party performance tested to EN1154.

4000 Series Dimensions



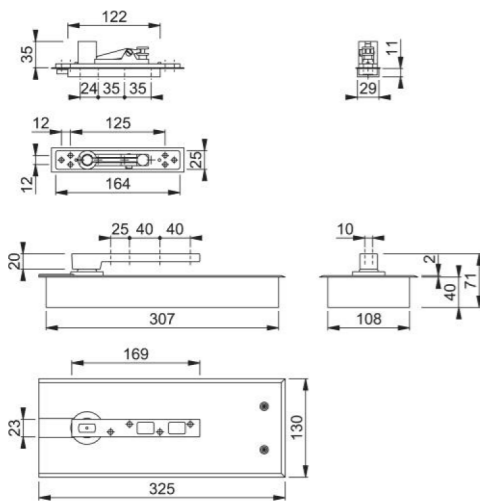
Drawing not to scale

Floor spring ESD700



Function	Closing speed, latching speed
Action	Double action swing
Dimensions	Length 307mm x wide 108mm x height 40mm
Power size	4
Door weight	Maximum door mass 80 kg
Door width	Max. 1100mm
Opening Angle	Max. 105° opening
Finish	Satin stainless steel effect

- Fixed power size 4.
- Function: Closing, latching speed.
- Cover: Mechanism cover.
- Maximum door width: 1,100mm.
- Maximum door weight: 80kg.
- Suitable for double action doors.
- Successfully type tested for conformity to all the requirements of BS EN 1154:1997.
- Included in a successful fire test to BS EN 1634 Part 1. Assessed for use on 30 and 60 minutes timber fire doors.



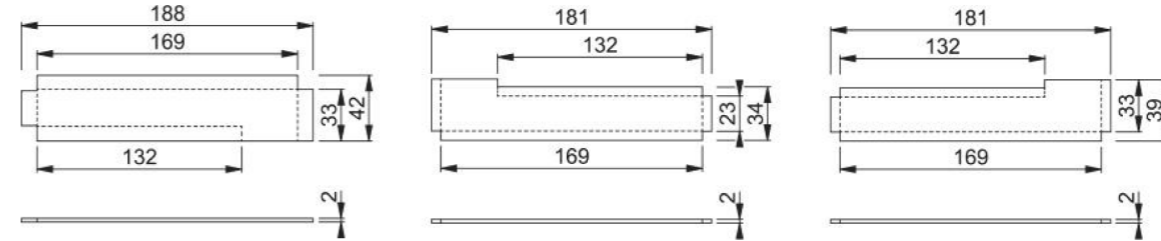
Drawing not to scale

Floor spring intumescent pack ESD/INT-FS



Unit	Single
Backset	
Action	Single action swing
Height	2mm

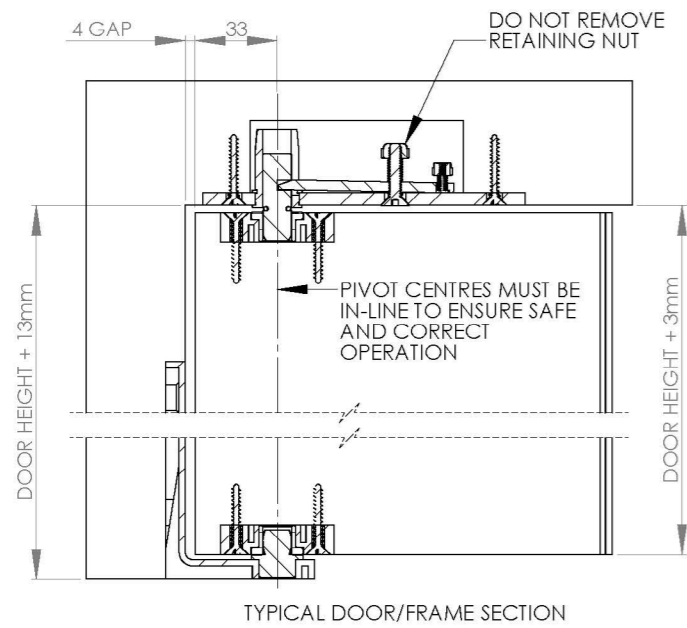
- Intumescent pack to suit ESD700 single action floor spring.
- 2mm thickness.
- Consists of: 1 x bottom strap pad, 1 x top strap pad, 1 x top centre pad.
- Material: Mono-ammonium phosphate.



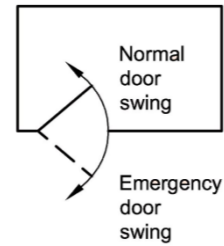
Drawing not to scale

Pivot set with emergency release

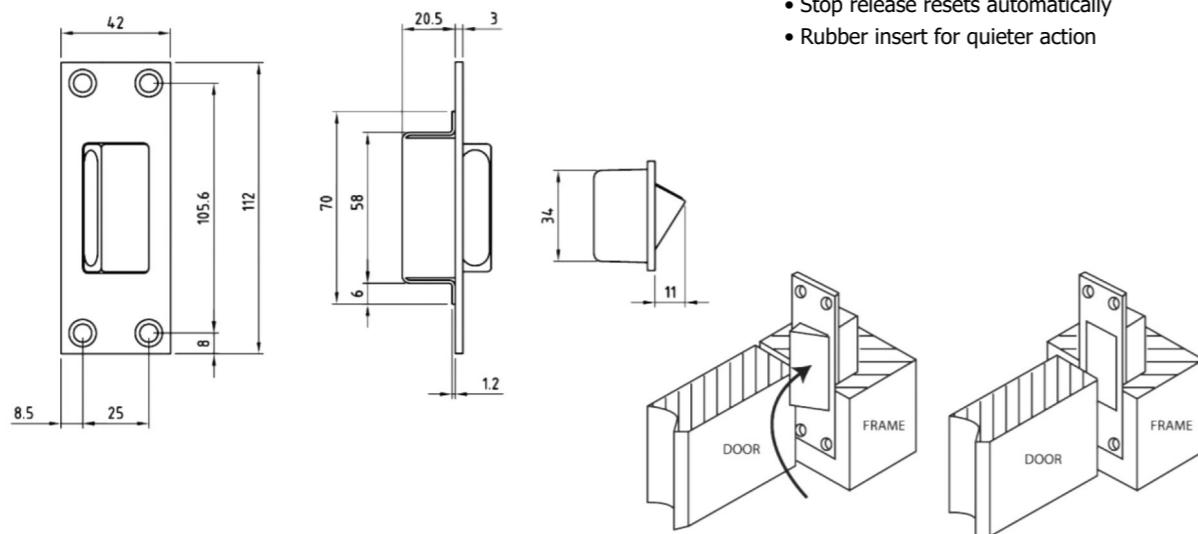
ESD131-105 & 400



- Grade 304 stainless steel.
- Maintenance free, guaranteed for 25 years.
- Allows the door to swing in either direction.
- Medium duty for internal doors weighing up to 80kg when floor mounted and up to 1100mm wide.
- Top and bottom door plates have HI-LOAD maintenance free oil impregnated bronze bearings.
- Set includes door bottom pivot bracket, top centre, door mounting plates and M5 x 30mm screws.



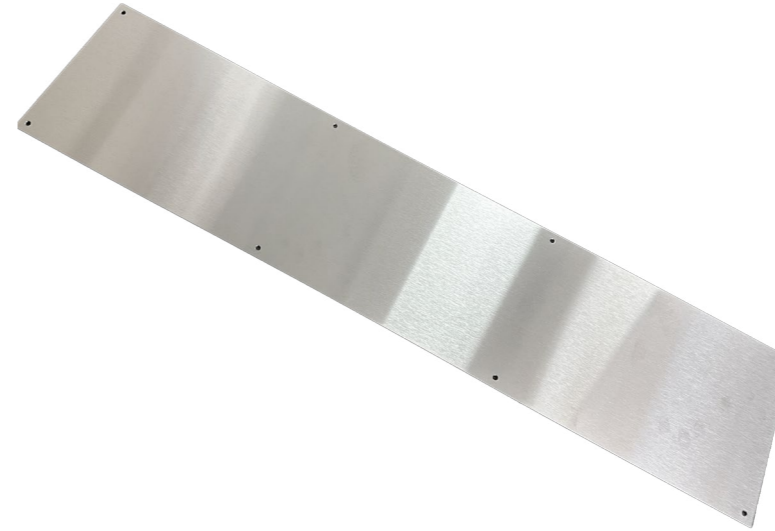
- Allows double action doors to operate as single swing when hung on pivots
- Emergency access is gained by depressing the stop and pulling the door outwards
- Stop release resets automatically
- Rubber insert for quieter action



Drawing not to scale

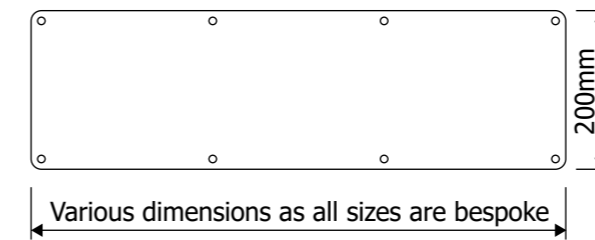
Stainless steel kick plate

ESDKP



Door type	Timber door
Dimensions	Variable, made to measure
Finish	Satin stainless steel with radius corners.

- Kick plates are made to order, and of variable sizes. The above image is a visual representation of what it could look like, but sizes are all bespoke.



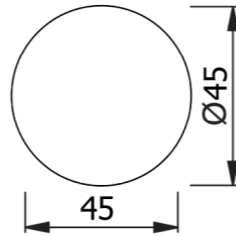
Drawing not to scale

Plastic fire signs with adhesive backing

ESDHTM58



Door type	Timber
Fixings	Adhesive backing
Diameter	45mm
Icons	Available as FR30s, FR60s, FR30, FR60. Other options also available upon request.
Finish	Blue



Drawing not to scale

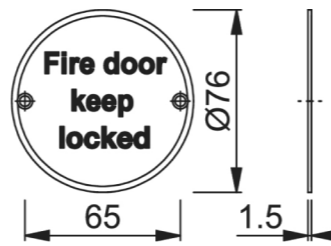
- Fire identification discs, white lettering on blue background (HTM58) with self adhesive backing.
- 45mm diameter.

Fire door keep locked sign

ESD901



Door type	Timber door
Fixings	Timber door
Diameter	76mm
Drill	2 Screw holes countersunk
Icon	Fire door keep locked
Finish	Satin stainless steel



Drawing not to scale

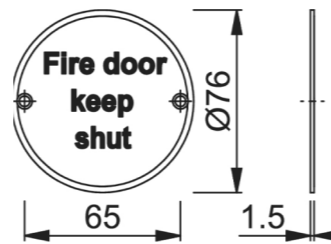
- With lettering.
- 76mm diameter.

Fire door keep shut sign

ESD902



Door type	Timber door
Fixings	Timber door
Diameter	76mm
Drill	2 Screw holes countersunk
Icon	Fire door keep shut
Finish	Satin stainless steel



Drawing not to scale

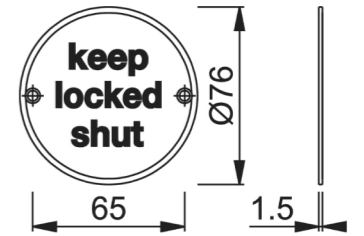
- With lettering.
- 76mm diameter.

Keep locked shut sign

ESD900



Door type	Timber door
Fixings	Timber door
Diameter	76mm
Drill	2 Screw holes countersunk
Icon	Keep locked shut
Finish	Satin stainless steel



Drawing not to scale

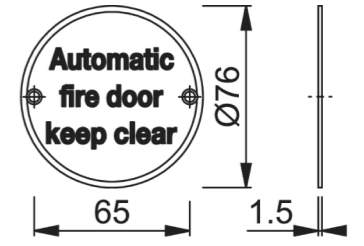
- With lettering.
- 76mm diameter.

Automatic fire door keep clear sign

ESD915



Door type	Timber door
Fixings	Timber door
Diameter	76mm
Drill	2 Screw holes countersunk
Icon	Automatic fire door keep clear
Finish	Satin stainless steel



Drawing not to scale

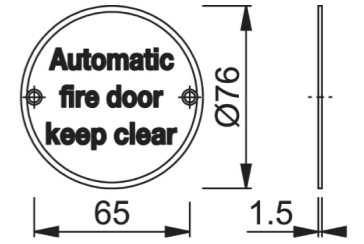
- With lettering.
- 76mm diameter.

Accessibility sign

ESD903



Door type	Timber door
Fixings	Timber door
Diameter	76mm
Drill	2 Screw holes countersunk
Icon	Accessible
Finish	Satin stainless steel



Drawing not to scale

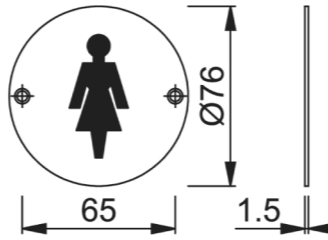
- With lettering.
- 76mm diameter.

Female sign

ESD903-F



Door type	Timber door
Fixings	Timber door
Diameter	76mm
Drill	2 Screw holes countersunk
Icon	Female
Finish	Satin stainless steel



Drawing not to scale

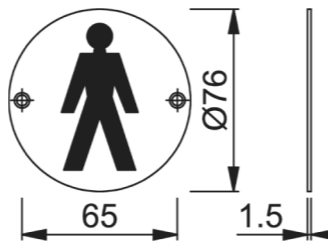
- With lettering.
- 76mm diameter.

Male sign

ESD903-M



Door type	Timber door
Fixings	Timber door
Diameter	76mm
Drill	2 Screw holes countersunk
Icon	Male
Finish	Satin stainless steel



Drawing not to scale

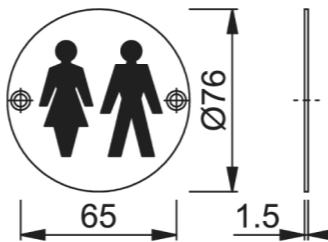
- With lettering.
- 76mm diameter.

Unisex sign

ESD903-U



Door type	Timber door
Fixings	Timber door
Diameter	76mm
Drill	2 Screw holes countersunk
Icon	Unisex
Finish	Satin stainless steel



Drawing not to scale

- With lettering.
- 76mm diameter.

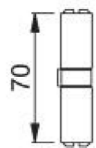
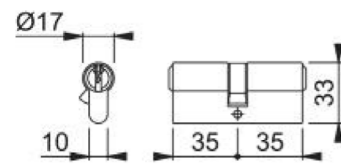


70mm Euro profile double cylinder

ESD313070DC



- Cylinder type: Double cylinder.
- Keying function: Keyed to differ.
- Number of keys: 2 servant keys.
- Testing: BS EN 1303, BS EN 1634 Part 1.
Assessed for use on 30 and 60 minute timber fire doors.



Drawing not to scale

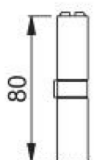
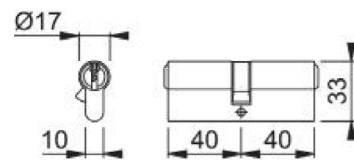
Type	Double cylinder
Door type	Timber door
Cylinder shape	Double cylinder
Number of pins	6
Pinning, Keying and Security	6 pin keyed to differ
Fixings	M5 x 70mm
Special function	Multi pin system
Cylinder length	35/35mm - 70mm overall length
Keyway section	Key profile no. 37
Security	
Protection	
Finish	Matt nickel plated
Cylinder finish	Matt nickel plated

80mm Euro profile double cylinder

ESD313080DC



- Cylinder type: Double cylinder.
- Keying function: Keyed to differ.
- Number of keys: 2 servant keys.
- Testing: BS EN 1303, BS EN 1634 Part 1.
Assessed for use on 30 and 60 minute timber fire doors.



Drawing not to scale

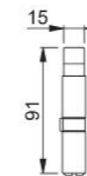
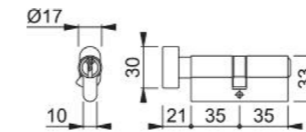
Type	Double cylinder
Door type	Timber door
Cylinder shape	Double cylinder
Number of pins	6
Pinning, Keying and Security	6 pin keyed to differ
Fixings	M5 x 70mm
Special function	Multi pin system
Cylinder length	40/40mm - 80mm overall length
Keyway section	Key profile no. 37
Security	
Protection	
Finish	Matt nickel plated
Cylinder finish	Matt nickel plated

70mm Euro profile thumbturn cylinder

ESD312170T



- Cylinder type: Key and turn cylinder.
- Keying function: Keyed to differ.
- Number of keys: 2 servant keys.
- Testing: BS EN 1303, BS EN 1634 Part 1.
Assessed for use on 30 and 60 minute timber fire doors.



Drawing not to scale

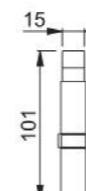
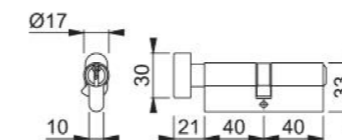
Type	
Door type	Timber door
Cylinder shape	Key and turn cylinder
Number of pins	6
Pinning, Keying and Security	6 pin keyed to differ
Fixings	M5 x 70mm
Special function	Multi pin system
Cylinder length	35/35mm - 70mm overall length
Keyway section	Key profile no. 37
Finish	Matt nickel plated
Cylinder finish	Matt nickel plated

80mm Euro profile thumbturn cylinder

ESD312180T



- Cylinder type: Key and turn cylinder.
- Keying function: Keyed to differ.
- Number of keys: 2 servant keys.
- Testing: BS EN 1303, BS EN 1634 Part 1.
Assessed for use on 30 and 60 minute timber fire doors.



Drawing not to scale

Type	
Door type T	Timber door
Cylinder shape	Key and turn cylinder
Number of pins	6
Pinning, Keying and Security	6 pin keyed to differ
Fixings	M5 x 70mm
Special function	Multi pin system
Cylinder length	40/40mm - 80mm overall length
Keyway section	Key profile no. 37
Finish	Matt nickel plated
Cylinder finish	Matt nickel plated

Single door - sash lock

Overhead door closing device with backcheck only

ESD1500



- Power size: 2 to 4 adjustable by spring tension.
- Function: Closing speed, backcheck, latching.
- Cover: Radiused cover.
- Maximum door width: 1,100mm.
- Maximum door weight: 80kg.
- Refer to page 18 for more information.

Mortice sashlock case

ESD910



- Function: Latch bolt and deadbolt operation.
- Deadbolt projection: 21mm, single throw.
- Forend/strike material: Stainless steel.
- Forend type: Single.
- Refer to page 4 for more information.

Din lock intumescent pack

ESD/INT-LOCK



- Intumescent pack to suit 72mm centres DIN lockcases.
- 1mm thickness.
- Consists of: 1 x lockcase & forend pad, 1 x strikeplate pad.
- Material: Mono-ammonium phosphate.
- Intumescent pack to be supplied with lockcase.
- Refer to page 11 for more information.

Stainless steel lever handle set on rose for interior doors

ESD - E138F/42K-A2



- Material: Stainless steel grade 304.
- Bearing: Fixed/movable.
- Connection: Solid spindle with eccentric hole on both ends.
- Base: Stainless steel.
- Fixing: Bolt through and wood screws.
- Refer to page 13 for more information.

70mm Euro profile thumbturn cylinder

ESD312170T



- Cylinder type: Key and turn cylinder.
- Keying function: Keyed to differ.
- Number of keys: 2 servant keys.
- Refer to page 33 for more information.

Escutcheon

ESD - ESC/TURN



- Euro profile escutcheon 8mm.
- Fixing: 4 x 20mm screws.
- Material: Grade 304 stainless steel.
- Refer to page 12 for more information.

Fire door keep shut sign

ESD902



- With lettering.
- 76mm diameter.
- Qty: 2.
- Refer to page 28 for more information.

Single door - dead lock

Overhead door closing device with backcheck only

ESD1500



- Power size: 2 to 4 adjustable by spring tension.
- Function: Closing speed, backcheck, latching.
- Cover: Radiused cover.
- Maximum door width: 1,100mm.
- Maximum door weight: 80kg.
- Refer to page 18 for more information.

Mortice deadlock case

ESD912



- Function: Deadbolt operation.
- Deadbolt projection: 21mm, single throw.
- Forend/strike material: Stainless steel.
- Forend type: Single.
- Refer to page 6 for more information.

Din lock intumescent pack

ESD/INT-LOCK



- Intumescent pack to suit 72mm centres DIN lockcases.
- 1mm thickness.
- Consists of: 1 x lockcase & forend pad, 1 x strikeplate pad.
- Material: Mono-ammonium phosphate.
- Intumescent pack to be supplied with lockcase.
- Refer to page 11 for more information.

70mm Euro profile thumbturn cylinder

ESD312170T



- Cylinder type: Key and turn cylinder.
- Keying function: Keyed to differ.
- Number of keys: 2 servant keys.
- Refer to page 33 for more information.

Escutcheon

ESD - ESC/TURN



- Euro profile escutcheon 8mm.
- Fixing: 4 x 20mm screws.
- Material: Grade 304 stainless steel.
- Refer to page 12 for more information.

300mm Stainless steel straight pull handle (exterior side)

ESD3616-300



- Fixing: Pull handle fixing system no.BS13-B.
- Refer to page 14 for more information.

350mm Finger plate with radius corners

ESD324-300



- Material: Stainless steel grade 304.
- Fixing: Drilled and countersunk supplied with wood screws.
- Radius corner.
- Refer to page 16 for more information.

Fire door keep locked sign

ESD901



- With lettering.
- 76mm diameter.
- Qty: 2.
- Refer to page 28 for more information.

Single door - latch only

Overhead door closing device with backcheck only

ESD1500



- Power size: 2 to 4 adjustable by spring tension.
- Function: Closing speed, backcheck, latching.
- Cover: Radiused cover.
- Maximum door width: 1,100mm.
- Maximum door weight: 80kg.
- Refer to page 18 for more information.

Mortice latch case

ESD911



- Function: Latch bolt operation.
- Forend/strike material: Stainless steel.
- Forend type: Single.
- Refer to page 5 for more information.

Din lock intumescent pack

ESD/INT-LOCK



- Intumescent pack to suit 72mm centres DIN lockcases.
- 1mm thickness.
- Consists of: 1 x lockcase & forend pad, 1 x strikeplate pad.
- Material: Mono-ammonium phosphate.
- Intumescent pack to be supplied with lockcase.
- Refer to page 11 for more information.

Stainless steel lever handle set on rose for interior doors

ESD - E138F/42K-A2



- Material: Stainless steel grade 304.
- Bearing: Fixed/movable.
- Connection: Solid spindle with eccentric hole on both ends.
- Base: Stainless steel.
- Fixing: Bolt through and wood screws.
- Refer to page 13 for more information.

Fire door keep shut sign

ESD902



- With lettering.
- 76mm diameter.
- Qty: 2.
- Refer to page 28 for more information.

Single door - bathroom

Overhead door closing device with backcheck only

ESD1500



- Power size: 2 to 4 adjustable by spring tension.
- Function: Closing speed, backcheck, latching.
- Cover: Radiused cover.
- Maximum door width: 1,100mm.
- Maximum door weight: 80kg.
- Refer to page 18 for more information.

Mortice bathroom lock

ESD913



- Function: Latch bolt and deadbolt operation.
- Deadbolt projection: 21mm, single throw.
- 8mm bathroom follower with 5mm adaptor supplied.
- Forend/strike material: Stainless steel.
- Forend type: Single.
- Refer to page 7 for more information.

Din lock intumescent pack

ESD/INT-LOCK



- Intumescent pack to suit 72mm centres DIN lockcases.
- 1mm thickness.
- Consists of: 1 x lockcase & forend pad, 1 x strikeplate pad.
- Material: Mono-ammonium phosphate.
- Intumescent pack to be supplied with lockcase.
- Refer to page 11 for more information.

Stainless steel lever handle set on rose for interior doors

ESD - E138F/42K-A2



- Material: Stainless steel grade 304.
- Bearing: Fixed/movable.
- Connection: Solid spindle with eccentric hole on both ends.
- Base: Stainless steel.
- Fixing: Bolt through and wood screws.
- Refer to page 13 for more information.

Bathroom turn and indicator set

ESD - IND/TURN



- Function: Bathroom turn set for residential/commercial applications.
- Material: Stainless steel grade 304.
- Base: Stainless steel.
- Fixing: Wood screws with 5mm bathroom spindle.
- Refer to page 12 for more information.

Fire door keep shut sign

ESD902



- With lettering.
- 76mm diameter.
- Qty: 2.
- Refer to page 28 for more information.

Single door - non locking

Overhead door closing device with backcheck only

ESD1500



- Power size: 2 to 4 adjustable by spring tension.
- Function: Closing speed, backcheck, latching.
- Cover: Radiused cover.
- Maximum door width: 1,100mm.
- Maximum door weight: 80kg.
- Refer to page 18 for more information.

300mm Stainless steel straight pull handle (exterior side)

ESD616-300



- Fixing: Pull handle fixing system no. BS13-B.
- Refer to page 14 for more information.

350mm Finger plate with radius corners

ESD324-300



- Material: Stainless steel grade 304.
- Fixing: Drilled and countersunk supplied with wood screws.
- Radius corner.
- Refer to page 16 for more information.

Fire door keep shut sign

ESD902



- With lettering.
- 76mm diameter.
- Qty: 2.
- Refer to page 28 for more information.

Double door - sash lock

Overhead door closing device with backcheck only

ESD1500



- Power size: 2 to 4 adjustable by spring tension.
- Function: Closing speed, backcheck, latching.
- Cover: Radiused cover.
- Maximum door width: 1,100mm.
- Maximum door weight: 80kg.
- Qty: 2.
- Refer to page 18 for more information.

Mortice sashlock case

ESD910



- Function: Latch bolt and deadbolt operation.
- Deadbolt projection: 21mm, single throw.
- Forend/strike material: Stainless steel.
- Forend type: Single.
- Refer to page 4 for more information.

Din lock intumescent pack

ESD/INT-LOCK



- Intumescent pack to suit 72mm centres DIN lockcases.
- 1mm thickness.
- Consists of: 1 x lockcase & forend pad, 1 x strikeplate pad.
- Material: Mono-ammonium phosphate.
- Intumescent pack to be supplied with lockcase.
- Refer to page 11 for more information.

70mm Euro profile thumbturn cylinder

ESD312170T



- Cylinder type: Key and turn cylinder.
- Keying function: Keyed to differ.
- Number of keys: 2 servant keys.
- Refer to page 33 for more information.

Escutcheon

ESD - ESC/TURN



- Euro profile escutcheon 8mm.
- Fixing: 4 x 20mm screws.
- Material: Grade 304 stainless steel.
- Refer to page 12 for more information.

Stainless steel lever handle set on rose for interior doors

ESD - E138F/42K-A2



- Material: Stainless steel grade 304.
- Bearing: Fixed/movable.
- Connection: Solid spindle with eccentric hole on both ends.
- Base: Stainless steel.
- Fixing: Bolt through and wood screws.
- Refer to page 13 for more information.

Flush bolt

ESD326



- Material: Stainless steel.
- Function: Lever action.
- Fixing: Timber door screws.
- Qty 2 - (please note only 1 supplied if drop seals are in use)
- Fire rated products to be supplied with intumescents.
- Refer to page 17 for more information.

Fire door keep shut sign

ESD902



- With lettering.
- 76mm diameter.
- Qty: 4.
- Refer to page 28 for more information.

Double door - dead lock

Overhead door closing device with backcheck only ESD1500



- Power size: 2 to 4 adjustable by spring tension.
- Function: Closing speed, backcheck, latching.
- Cover: Radiused cover.
- Maximum door width: 1,100mm.
- Maximum door weight: 80kg.
- Qty: 2.
- Refer to page 18 for more information.

Mortice deadlock case ESD912



- Function: Deadbolt operation.
- Deadbolt projection: 21mm, single throw.
- Forend/strike material: Stainless steel.
- Forend type: Single.
- Refer to page 6 for more information.

Din lock intumescent pack ESD/INT-LOCK



- Intumescent pack to suit 72mm centres DIN lockcases.
- 1mm thickness.
- Consists of: 1 x lockcase & forend pad, 1 x strikeplate pad.
- Material: Mono-ammonium phosphate.
- Intumescent pack to be supplied with lockcase.
- Refer to page 11 for more information.

70mm Euro profile thumbturn cylinder ESD312170T



- Cylinder type: Key and turn cylinder.
- Keying function: Keyed to differ.
- Number of keys: 2 servant keys.
- Refer to page 33 for more information.

Escutcheon ESD - ESC/TURN



- Euro profile escutcheon 8mm.
- Fixing: 4 x 20mm screws.
- Material: Grade 304 stainless steel.
- Refer to page 12 for more information.

300mm Stainless steel straight pull handle (exterior side) ESD3616-300



- Fixing: Pull handle fixing system no. BS13-B.
- Qty: 2.
- Refer to page 14 for more information.

350mm Finger plate with radius corners ESD324-300



- Material: Stainless steel grade 304.
- Fixing: Drilled and countersunk supplied with wood screws.
- Radius corner.
- Qty: 2.
- Refer to page 16 for more information.

Flush bolt ESD326



- Material: Stainless steel.
- Function: Lever action.
- Fixing: Timber door screws.
- Qty 2 - (please note only 1 supplied if drop seals are in use).
- Fire rated products to be supplied with intumescents.
- Refer to page 17 for more information.

Fire door keep locked sign ESD901



- With lettering.
- 76mm diameter.
- Qty: 4.
- Refer to page 28 for more information.

Double door - latch only

Overhead door closing device with backcheck only ESD1500



- Power size: 2 to 4 adjustable by spring tension.
- Function: Closing speed, backcheck, latching.
- Cover: Radiused cover.
- Maximum door width: 1,100mm.
- Maximum door weight: 80kg.
- Qty: 2.
- Refer to page 18 for more information.

Mortice latch case ESD911



- Function: Latch bolt operation.
- Forend/strike material: Stainless steel.
- Forend type: Single.
- Refer to page 5 for more information.

Din lock intumescent pack ESD/INT-LOCK



- Intumescent pack to suit 72mm centres DIN lockcases.
- 1mm thickness.
- Consists of: 1 x lockcase & forend pad, 1 x strikeplate pad.
- Material: Mono-ammonium phosphate.
- Intumescent pack to be supplied with lockcase.
- Refer to page 11 for more information.

Stainless steel lever handle set on rose for interior doors ESD - E138F/42K-A2



- Material: Stainless steel grade 304.
- Bearing: Fixed/movable.
- Connection: Solid spindle with eccentric hole on both ends.
- Base: Stainless steel.
- Fixing: Bolt through and wood screws.
- Refer to page 13 for more information.

Flush bolt ESD326



- Material: Stainless steel.
- Function: Lever action.
- Fixing: Timber door screws.
- Qty 2 - (please note only 1 supplied if drop seals are in use).
- Fire rated products to be supplied with intumescents.
- Refer to page 17 for more information.

Fire door keep shut sign ESD902



- With lettering.
- 76mm diameter.
- Qty: 4.
- Refer to page 28 for more information.

Double door - non locking

Overhead door closing device with backcheck only

ESD1500



- Power size: 2 to 4 adjustable by spring tension.
- Function: Closing speed, backcheck, latching.
- Cover: Radiused cover.
- Maximum door width: 1,100mm.
- Maximum door weight: 80kg.
- Qty: 2.
- Refer to page 18 for more information.

300mm Stainless steel straight pull handle (exterior side)

ESD3616-300



- Fixing: Pull handle fixing system no. BS13-B.
- Qty: 2.
- Refer to page 14 for more information.

350mm Finger plate with radius corners

ESD324-300



- Material: Stainless steel grade 304.
- Fixing: Drilled and countersunk supplied with wood screws.
- Radius corner.
- Qty: 2.
- Refer to page 16 for more information.

Fire door keep shut sign

ESD902



- With lettering.
- 76mm diameter.
- Qty: 4.
- Refer to page 28 for more information.

Leaf & half door - dead lock

Overhead door closing device with backcheck only

ESD1500



- Power size: 2 to 4 adjustable by spring tension.
- Function: Closing speed, backcheck, latching.
- Cover: Radiused cover.
- Maximum door width: 1,100mm.
- Maximum door weight: 80kg.
- Refer to page 18 for more information.

Mortice deadlock case

ESD912



- Function: Deadbolt operation.
- Deadbolt projection: 21mm, single throw.
- Forend/strike material: Stainless steel.
- Forend type: Single.
- Refer to page 6 for more information.

Din lock intumescent pack

ESD/INT-LOCK



- Intumescent pack to suit 72mm centres DIN lockcases.
- 1mm thickness.
- Consists of: 1 x lockcase & forend pad, 1 x strikeplate pad.
- Material: Mono-ammonium phosphate.
- Intumescent pack to be supplied with lockcase.
- Refer to page 11 for more information.

70mm Euro profile thumbturn cylinder

ESD312170T



- Cylinder type: Key and turn cylinder.
- Keying function: Keyed to differ.
- Number of keys: 2 servant keys.
- Refer to page 33 for more information.

Escutcheon

ESD - ESC/TURN



- Euro profile escutcheon 8mm.
- Fixing: 4 x 20mm screws.
- Material: Grade 304 stainless steel.
- Refer to page 12 for more information.

300mm Stainless steel straight pull handle (exterior side)

ESD3616-300



- Fixing: Pull handle fixing system no. BS13-B.
- Refer to page 14 for more information.

350mm Finger plate with radius corners

ESD324-300



- Material: Stainless steel grade 304.
- Fixing: Drilled and countersunk supplied with wood screws.
- Radius corner.
- Refer to page 16 for more information.

Flush bolt

ESD326



- Material: Stainless steel.
- Function: Lever action.
- Fixing: Timber door screws.
- Qty 2 - (please note only 1 supplied if drop seals are in use).
- Fire rated products to be supplied with intumescents.
- Refer to page 17 for more information.

Fire door keep locked sign

ESD901



- With lettering.
- 76mm diameter.
- Qty: 4.
- Refer to page 28 for more info.

Leaf & half door - sash lock

Overhead door closing device with backcheck only ESD1500



- Power size: 2 to 4 adjustable by spring tension.
- Function: Closing speed, backcheck, latching.
- Cover: Radiused cover.
- Maximum door width: 1,100mm.
- Maximum door weight: 80kg.
- Refer to page 18 for more information.

Mortice sashlock case ESD910



- Function: Latch bolt and deadbolt operation.
- Deadbolt projection: 21mm, single throw.
- Forend/strike material: Stainless steel.
- Forend type: Single.
- Refer to page 4 for more information.

Din lock intumescent pack ESD/INT-LOCK



- Intumescent pack to suit 72mm centres DIN lockcases.
- 1mm thickness.
- Consists of: 1 x lockcase & forend pad, 1 x strikeplate pad.
- Material: Mono-ammonium phosphate.
- Intumescent pack to be supplied with lockcase.
- Refer to page 11 for more information.

70mm Euro profile thumbturn cylinder ESD312170T



- Cylinder type: Key and turn cylinder.
- Keying function: Keyed to differ.
- Number of keys: 2 servant keys.
- Refer to page 33 for more information.

Escutcheon ESD - ESC/TURN



- Euro profile escutcheon 8mm.
- Fixing: 4 x 20mm screws.
- Material: Grade 304 stainless steel.
- Refer to page 12 for more information.

Stainless steel lever handle ESD - E138F/42K-A2 set on rose for interior doors



- Material: Stainless steel grade 304.
- Bearing: Fixed/movable.
- Connection: Solid spindle with eccentric hole on both ends.
- Base: Stainless steel.
- Fixing: Bolt through and wood screws.
- Refer to page 13 for more information.

Flush bolt ESD326



- Material: Stainless steel.
- Function: Lever action.
- Fixing: Timber door screws.
- Qty 1 - (please note only 1 supplied if drop seals are in use)
- Fire rated products to be supplied with intumescents.
- Refer to page 17 for more information.

Fire door keep shut sign ESD902



- With lettering.
- 76mm diameter.
- Qty: 4.
- Refer to page 28 for more information.

Leaf & half door - non locking

Overhead door closing device with backcheck only ESD1500



- Power size: 2 to 4 adjustable by spring tension.
- Function: Closing speed, backcheck, latching.
- Cover: Radiused cover.
- Maximum door width: 1,100mm.
- Maximum door weight: 80kg.
- Qty: 2.
- Refer to page 18 for more information.

300mm Stainless steel straight pull handle (exterior side) ESD3616-300



- Fixing: Pull handle fixing system no. BS13-B.
- Qty: 2.
- Refer to page 14 for more information.

350mm Finger plate with radius corners ESD324-300



- Material: Stainless steel grade 304.
- Fixing: Drilled and countersunk supplied with wood screws.
- Radius corner.
- Qty: 2.
- Refer to page 16 for more information.

Fire door keep shut sign ESD902



- With lettering.
- 76mm diameter.
- Qty: 4.
- Refer to page 28 for more information.

Enfield Speciality Doors - Ironmongery compatibility chart

Ironmongery description				Compliance matrix									
Item	Product code	Finish	Quantity	Strebord FD30	Strebord FD60	Stredor FD30	Stredor FD60	Flamebreak FD30	Flamebreak FD60	Moralt FS FD30/60	43/45dB ESD	46/48dB ESD	FD90/120 ESD
Locks & latches													
Mortice lashlock case radiused forend	ESD910	SSS	Each	✓	✓	✓	✓	✓	✓	✓	✓	✓	✓
Mortice latch radiused forend	ESD911	SSS	Each	✓	✓	✓	✓	✓	✓	✓	✓	✓	✓
Mortice deadlock case radiused forend	ESD912	SSS	Each	✓	✓	✓	✓	✓	✓	✓	✓	✓	✓
Mortice bathroom lock radiused forend	ESD913	SSS	Each	✓	✓	✓	✓	✓	✓	✗	✗	✗	✗
Mortice nightlatch case radiused forend	ESD914	SSS	Each	✓	✓	✓	✓	✓	✓	✗	✗	✗	✗
Euro profile mortice rollerbolt lock case	ESD916	SSS	Each	✓	✓	✓	✓	✓	✓	✓	✓	✓	✓
FB2 lock + 2 keys	ESDFB02R	SSS	Each	Non Fire Rated Doors Only.									
Intumescent pack to suit din locks (60mm backset)	ESD/INa-LOCK	-	Each	MAP	MAP	MAP	MAP	MAP	MAP	MAP	MAP	Graphite	WSCP
Bathroom turn & release - grade 304	ESD-IND/aURN	SSS	Each	✓	✓	✓	✓	✓	✓	✗	✗	✗	✗
Euro escutcheon - grade 304	ESD-ESC/aURN	SSS	Pairs	✓	✓	✓	✓	✓	✓	✓	✓	✓	✓
Lever on rose- grade 304	ESD-E138F/42K-A2	SSS	Each	✓	✓	✓	✓	✓	✓	✓	✓	✓	✓
Cylinder pull for euro profile cylinder	ESD306	SSS	Each	✓	✓	✓	✓	✓	✓	✓	✓	✓	✓
D-Handles-19mm x 300mm bolt through fixing	ESD3616-300	SSS	Each	✓	✓	✓	✓	✓	✓	✓	✓	✓	✓
D-Handle19mm x 425mm bolt through fixing	ESD3616-425	SSS	Each	✓	✓	✓	✓	✓	✓	✓	✓	✓	✓
Push plates-75mm x 350mm finger plate	ESD324-300	SSS	Each	✓	✓	✓	✓	✓	✓	✓	✓	✓	✓
Push plates-75mm x 475mm finger plate	ESD324-425	SSS	Each	✓	✓	✓	✓	✓	✓	✓	✓	✓	✓
Flush bolts													
Flush bolt, radius end	ESD326	SSS	Pairs	✓	✓	✓	✓	✓	✓	✓	✓	✓	✓
Intumescent for flushbolt	-	-	Pairs	MAP	MAP	MAP	MAP	MAP	MAP	MAP	MAP	Graphite	WSCP
Door closers													
AR1500 - Size 2-4 by spring door closer & matching arm	ESD1500	SSS	Each	✓	✓	✓	✓	✓	✓	✓	✓	✓	✓
AR3500 - Size 2-4 by spring door closer & matching arm, delayed action	ESD3500	SSS	Each	✓	✓	✓	✓	✓	✓	✓	✓	✓	✓
AR8209 - Size 2-4 by spring, slide arm door closer	ESD7383	SSS	Each	✓	✓	✓	✓	✓	✓	✓	✓	✓	✓
AR7383 - Concealed door closer size 2-4 complete with intumescent pack	ESD8209	SNP	Each	✓	✓	✓	✗	✗	✗	✗	✗	✗	✗
Elec/mag closer HO/swing free & matching arm	ESD1998	SSS	Each	✓	✓	✓	✓	✓	✓	✗	✗	✗	✗
Astra jamb closer	ESD4003SFR		Each	✓	✓	✓	✗	✗	✗	✗	✗	✗	✗
Intumescent for astra jamb closer (28mm)			Each	✓	✓	✓	✗	✗	✗	✗	✗	✗	✗
Floor springs													
Size 4 Floor spring, double action with complete set	ESD700	SSSI	Each	✓	✓	✓	✓	✓	✓	✗	✗	✗	✗
Intumescent pack to suit double action floor spring	ESD/INa-FS	-	Each	✓	✓	✓	✓	✓	✓	✗	✗	✗	✗
Pivot set with emergency release (royde and aucker)	ESD131-105 & 400	SSS	Each	Non Fire Rated Doors Only.						✗	✗	✗	✗
Kick Plates													
Kick plates (made to order) (up to 1000m x 200mm)	ESD-KP	SSS	Each	✓	✓	✓	✓	✓	✓	✓	✓	✓	✓
Discs													
HaM fire discs plastic - white in blue background (recessed)			Each	✓	✓	✓	✓	✓	✓	✓	✓	✓	✓
76mm Circular Fire door keep locked sign	ESD901	SSS	Each	✓	✓	✓	✓	✓	✓	✓	✓	✓	✓
76mm Circular Fire door keep shut sign	ESD902	SSS	Each	✓	✓	✓	✓	✓	✓	✓	✓	✓	✓
76mm Circular Keep locked shut sign	ESD900	SSS	Each	✓	✓	✓	✓	✓	✓	✓	✓	✓	✓
76mm Circular Automatic fire door keep clear sign	ESD915	SSS	Each	✓	✓	✓	✓	✓	✓	✓	✓	✓	✓
76mm Circular Accessibility sign	ESD903	SSS	Each	✓	✓	✓	✓	✓	✓	✓	✓	✓	✓
76mm Circular Female sign	ESD903-F	SSS	Each	✓	✓	✓	✓	✓	✓	✓	✓	✓	✓
76mm Circular Male sign	ESD903-M	SSS	Each	✓	✓	✓	✓	✓	✓	✓	✓	✓	✓
76mm Circular Unisex sign	ESD903-U	SSS	Each	✓	✓	✓	✓	✓	✓	✓	✓	✓	✓
Cylinders													
70mm Euro double cylinder + 2 no's keys to differ	ESD313070DC	MNP	Each	✓	✓	✓	✓	✓	✓	✓	✓	✓	✓
80mm Euro double cylinder + 2 no's keys to differ	ESD313080DC	MNP	Each	✓	✓	✓	✓	✓	✓	✓	✓	✓	✓
70mm Euro cylinder with thumb turn+ 2 no's keys to differ	ESD312170a	MNP	Each	✓	✓	✓	✓	✓	✓	✓	✓	✓	✓
80mm Euro cylinder with thumb turn + 2 no's keys to differ	ESD312180a	MNP	Each	✓	✓	✓	✓	✓	✓	✓	✓	✓	✓
*MK cylinders needs to be chosen appropriately. *Cylinders to be chosen as per door thickness and application.													





Tel. 020 3199 7576

sales@enfelddoors.co.uk - www.enfelddoors.co.uk

Alexandra Road, Enfield EN3 7EH - 276 Alma Road, Enfield, EN3 7BB

© Enfield Speciality Doors Ltd, All rights reserved.