

# Product data sheet

## Astra Jamb Closer

ESD4003SFR



|                          |                    |
|--------------------------|--------------------|
| Fixed power              | EN3                |
| Closing force            | 4° from latch 19Nm |
| Opening force            | 4° from latch 22Nm |
| Continuous valve control | From 90°           |
| Maximum opening angle    | 105°               |
| Maximum door width       | Up to 1100mm wide  |

### Product

- Integrated door control.
- Jamb mounted frame plate hinge side.
- Completely concealed when door is closed.

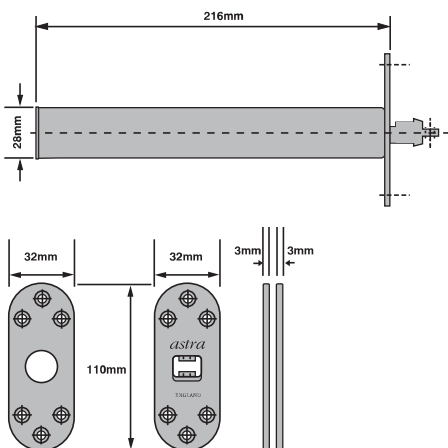
### Functions

- Adjustable closing speed whilst installed.
- Maintenance-free.

### Test Evidence

- Continuous in-house testing to over 500,000 cycles.
- Fire test conducted in accordance with BS EN1634-1 :2000.
- Third party performance tested to EN1154.

### 4000 Series Dimensions



Drawing not to scale