

Product data sheet

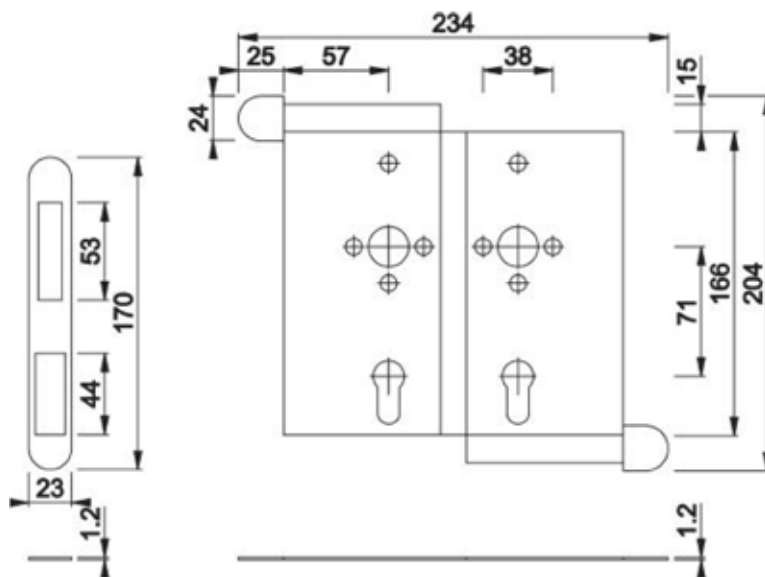
Din lock intumescent pack

ESD/INT-LOCK



Backset	60mm
Height	1mm

- Intumescent pack to suit 72mm centres DIN lockcases.
- 1mm thickness.
- Consists of: 1 x lockcase & forend pad, 1 x strikeplate pad.
- Material: Mono-ammonium phosphate.



Drawing not to scale